

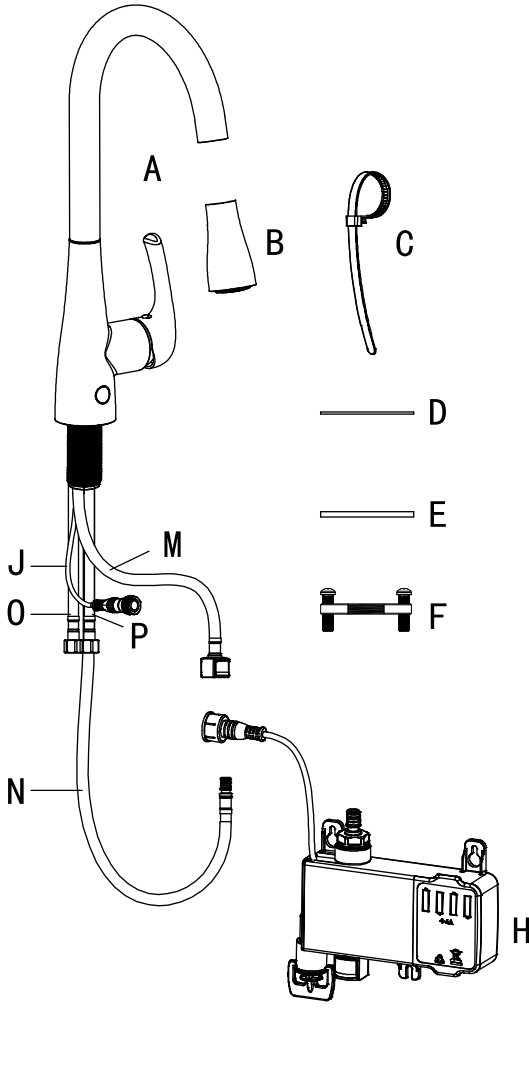


## **User Manual**

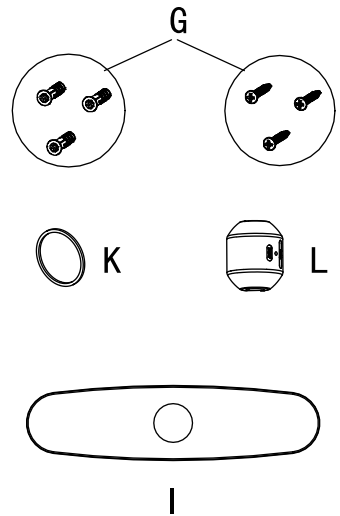
### **Home Appliances**

**Pull Down Touchless Single  
Handle Kitchen Faucet**

# Parts List



No.	Description	QTY
A	Faucet	1
B	Spray head	1
C	Zip tie	1
D	Rubber washer	1
E	Metal washer	1
F	Mounting nut	1
G	Screw set	3
H	Control box	1
I	Deck plate(Optional)	1
J	Data cable	1
K	O-ring(Optional)	1
L	Counter weight	1
M	Water outlet hose	1
N	Pull down hose	1
O	Hot water inlet(Red)	1
P	Cold water inlet(Blue)	1



# Thank you for choosing our product.

---


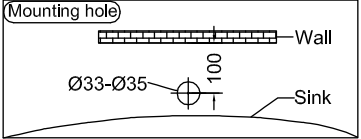
Please read carefully the following installation instructions in order to avoid component damage or injury to the installer.

Keep the installation manual available for future maintenance or reference.



**PRECAUTIONS:** Follow all safety precautions to avoid bodily injury or damage to property.

## Notice

 <b>PRECAUTIONS</b>	<p>1. Cleaning Before installation, shut off the water supply valves and clean up the water supply system. Clean the area of the mounting holes before installation.</p>
	<p>2. Mounting hole Make sure the mounting hole size is between <math>\phi 33\text{mm}</math>–<math>\phi 35\text{mm}</math> as shown in the diagram.</p> 
	<p>3. Parameter Water pressure: Min: 0.05MPa Max: 0.75MPa Temperature of water supply <math>\leq 85^{\circ}\text{C}</math> Working Temperature <math>\geq 0^{\circ}\text{C}</math></p>

## Maintenance

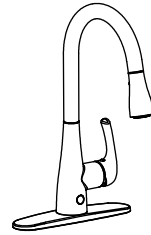
---

1. Operate the faucet gently in order for a sustainable use.
2. Always blot dry any water from faucet surface. Cleaning with a damp non-abrasive sponge and wiping it with a clean soft cloth will be helpful to maintain good finish of the faucet.  
To remove water spots, please apply warm water and a damp soft cloth. Make certain to rinse thoroughly with water immediately after cleaner.
3. Although the finish is extremely durable, it can be damaged by some cleaners. Do not use detergent powder, polishing powder, granular detergent or nylon brush to clean.
4. Do not use acidic detergents. If happened, it must be rinsed properly and wiped dry with a soft cloth.
5. When the air temperature is below  $0^{\circ}\text{C}$ , a measure should be taken to keep the faucet working condition warm.
6. Shut off the water supply valves when the faucet will not be in use for an extended amount of time.
7. We reserve the right to make revisions in the design of products without notice.

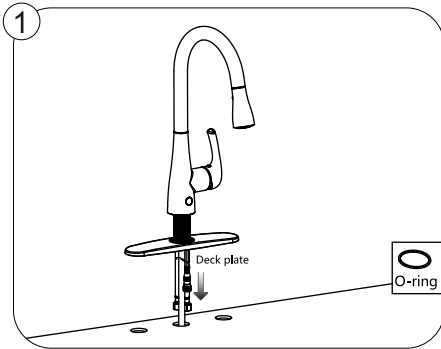
# Installation Steps



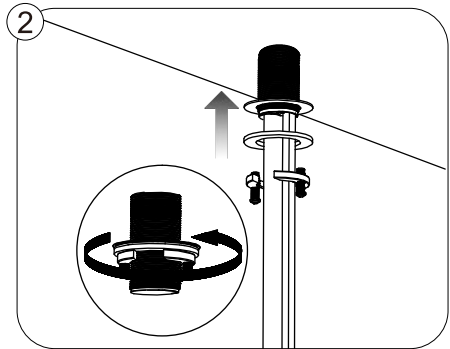
Single hole installation



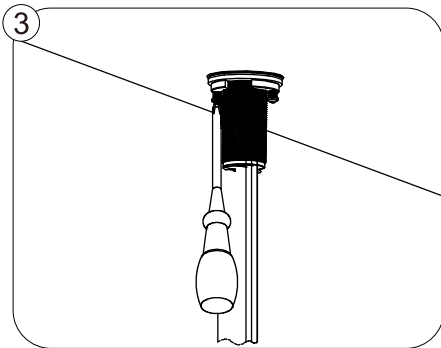
3-hole installation



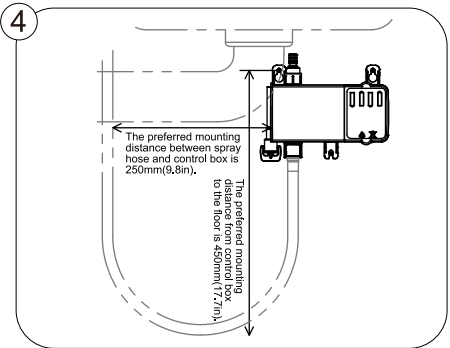
1. For 1-hole sink, insert the O-ring over the cable, hoses and the shank into the faucet bottom, and then mount the faucet on the sink.  
For 3-hole sink, insert deck plate over the cable and hoses in the mounting shank, aligning the grooves in the deck plate with the arches on the faucet bottom, and then mount the faucet on the sink. (the O-ring not needed)



2. Slide the rubber gasket first, the metal washer second, and then the mounting nut over the hoses and the data cable onto the stem and hand tighten them firmly.

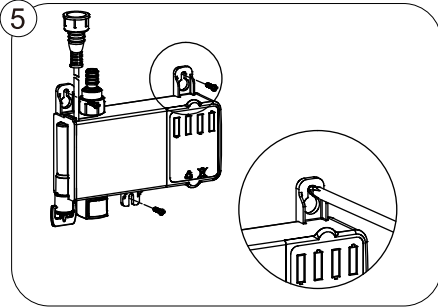


3. Use a Phillips head screwdriver to thread the 2 screws.

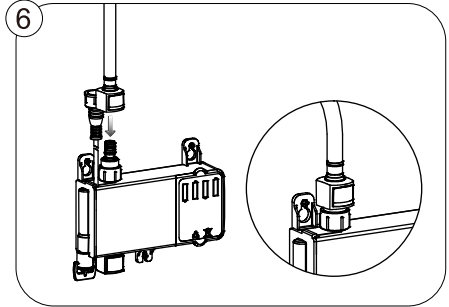


4. The dimension shown in the figure is a preferred mounting distance for control box (The distance can be adjusted to better fit your space).

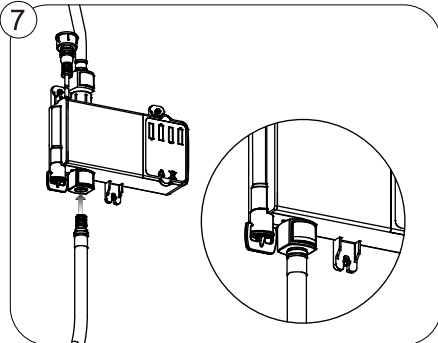
# Installation Steps



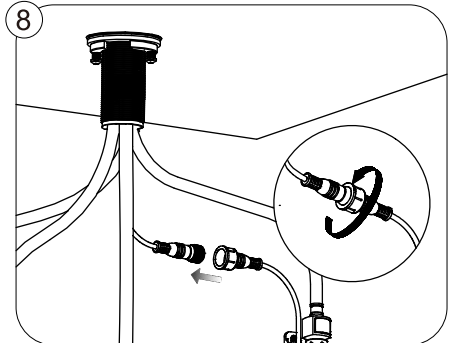
5. Mount the screws into the wall under the sink and hang the control box according to the preferred mounting distance.



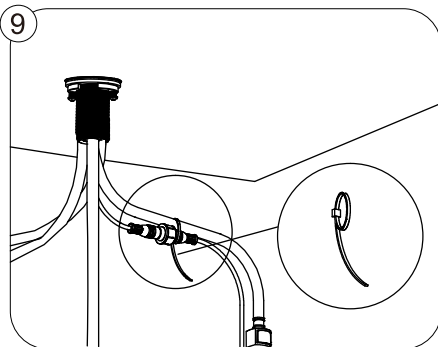
6. Attach the outlet hose to the adapter on top of the control box with the "quick-connection".



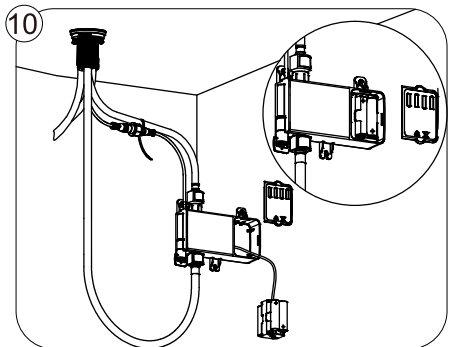
7. Attach the black nylon braided hose to the adapter at the bottom of the control box.



8. Connect the sensor cables and hand tighten them firmly.

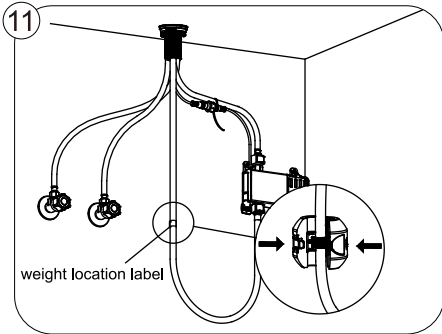


9. Tie the sensor cable together with the outlet hose by using a zip tie. Do not include the pull-down hose in the zip tie.

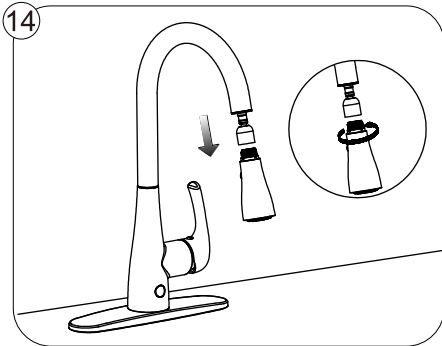


10. Remove the battery pack cover on control box and take out the battery pack; insert 4 AA batteries(sold separately). Put the battery pack back in the control box and replace the cover firmly. The batteries should be charged or changed when the sensor flashes a red light.

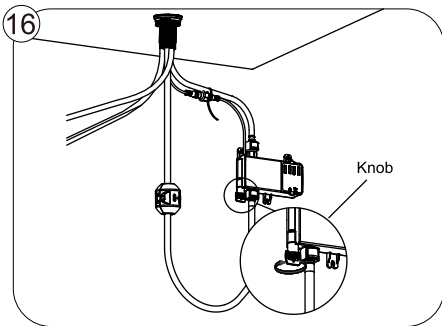
# Installation Steps



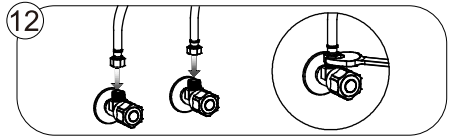
11. Install the counterweight on the pull-down hose at the marked position (it should be placed on the line).



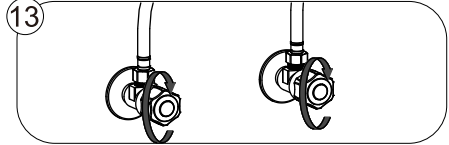
14. Attach and secure the spray head onto the pull-down hose.



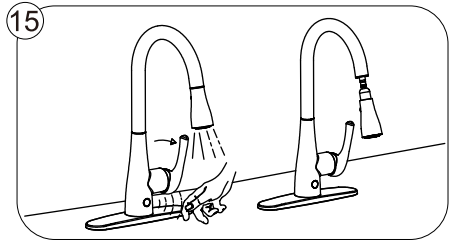
16. For manual operation, turn the knob beneath the control box counter-clockwise to the end (as shown on the figure above). The sensor will be disabled and the faucet will be operational by the handle only.



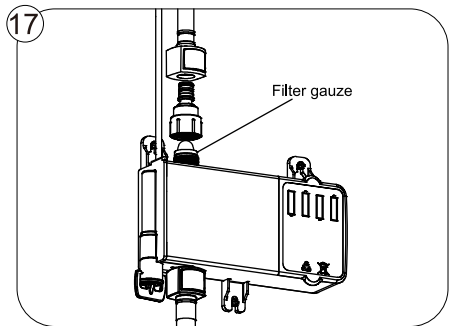
12. Connect the hot & cold supply lines onto the matching water valves and secure the connection with an adjustable wrench.



13. Turn on the water supply and check the water connections for leaks.



15. Turn on the faucet and wave your hand over the Sensor; Set water temperature to desired setting. The water temperature changes by manipulating the handle. Run the water and it will stop automatically in 3 minutes. Check for leaks. Then pull out the spray head (the infrared sensor will start working when the spray head is pulled out). Slide the spray head back in original position, and the water turns off. Repeat the operation several times, and check for errors. If none, then the faucet is good for use. It is recommended to turn the handle off when the faucet will not be in use for an extended amount of time.



17. If the water flow rate is lower than normal, there may be build up on the filter gauze. Shut off the water valves and remove the outlet hose from the control box and unscrew the inlet adapter from the control box. Take out the filter gauze and clean it. Reassemble the outlet hose connector, inlet adapter, and filter gauze as shown on the figure above.